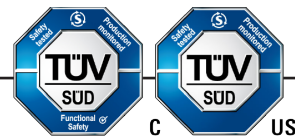


Operating Instructions: Potentiometer



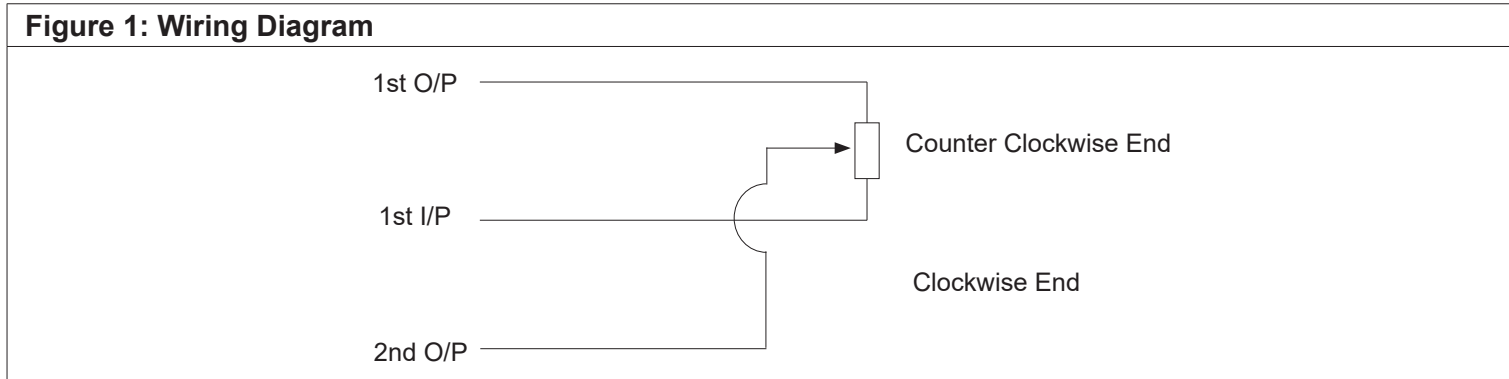
Core Elements

Description <ul style="list-style-type: none"> Common uses include speed control for variable frequency drives. 	TV4
--	--------------------

Technical Specification	
Housing Materials	Painted die cast aluminium
Colour	Dark Grey
Ingress Protection	IP65*
Mechanical Life	10,000 Cycles
Electrical Life	10,000 Cycles
Ambient Temperature	-25°C to 40°C (-13°F to 104°F)
Environment	Indoor use only
Resistance Taper	Linear
Resistance	500 - 10,000 ohms
Resistance Tolerance	+ - 20%
Maximum Voltage	20V
Power Rating	0.05W

*IP protection is to the tGard stack that this module attaches to, when correctly fitted according to installation and maintenance instructions.

Electrical Guidance			
Inputs	Outputs	Module operates on the safety circuits	Order of pin assignment from base to head
1	2	No	Slider input assigned first. Clockwise output assigned second Counter Clockwise output assigned third



Operating Instructions: Potentiometer

Figure 2: Dimensional Drawing - TV4

