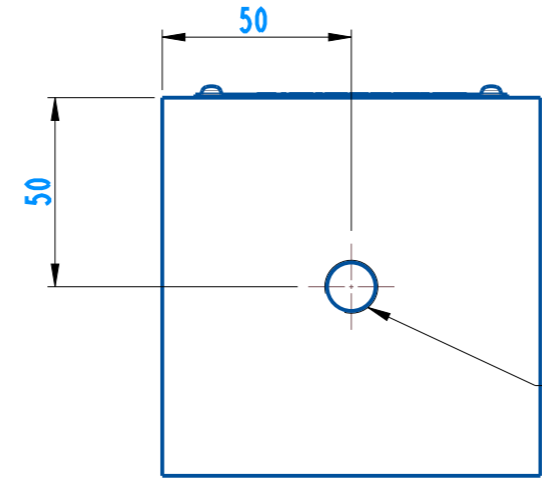
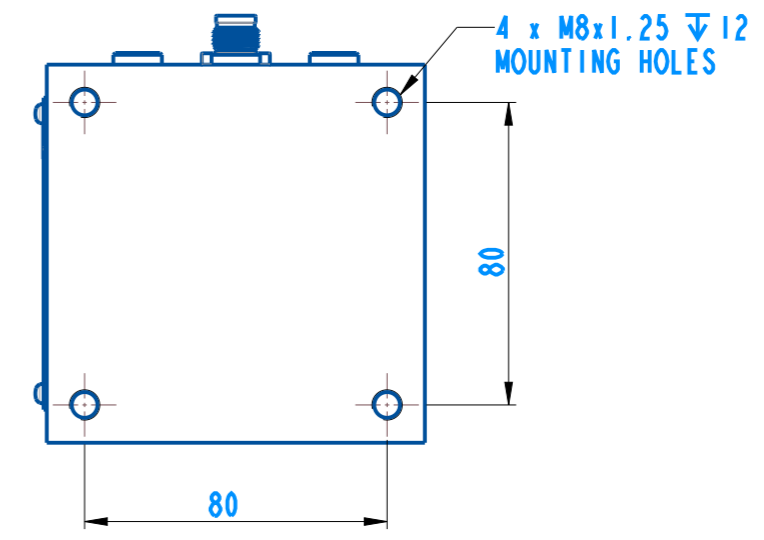
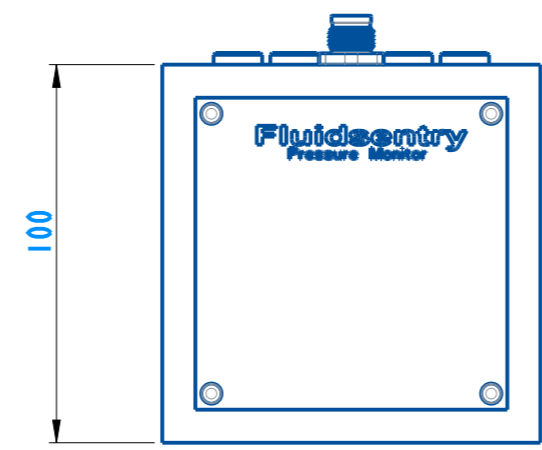
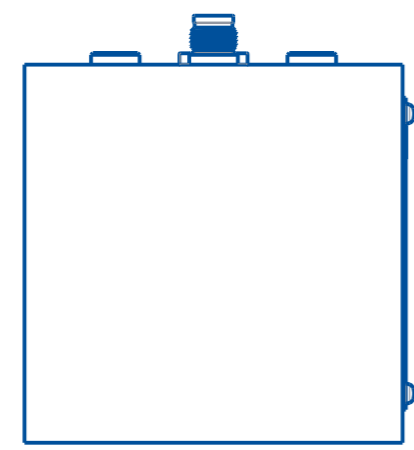
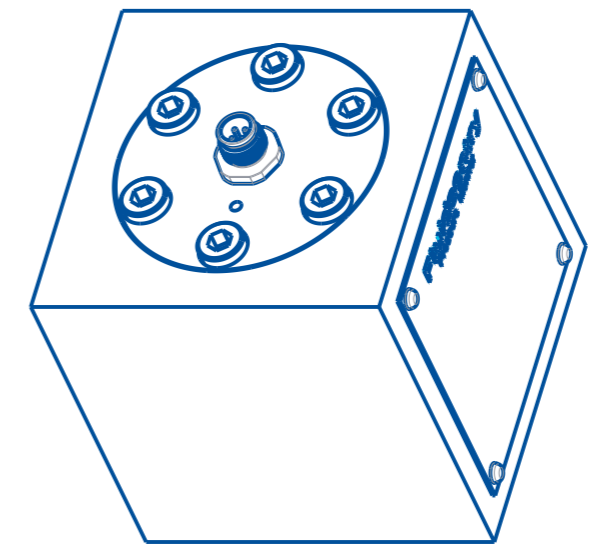
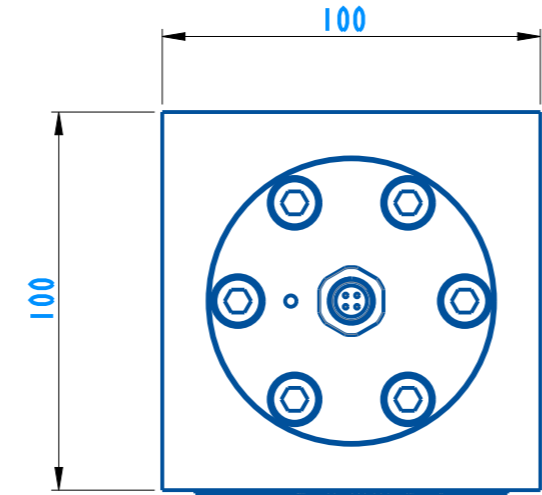


A B C D E F G H I J K L

1  
2  
3  
4  
5  
6  
7  
8  
9



MATERIAL:  
 - ALUMINIUM ZPM-1-AG025-0D0-MP0  
 - STEEL ZPM-1-SG025-0D0-MP0

THE COPYRIGHT OF THIS DRAWING BELONGS TO FORTRESS INTERLOCKS Ltd. THE CONTENT OF THIS DRAWING IS CONFIDENTIAL AND MUST NOT BE DISCLOSED TO ANY 3rd PARTY WITHOUT OUR SPECIFIC, WRITTEN APPROVAL.		TITLE: ZERO PRESSURE MONITOR - SINGLE - 1/4" BSP - M12	SCALE: 0.50	ISSUE: 0
DO NOT SCALE. IF IN DOUBT ASK! ALL DIMENSIONS ARE IN mm (UOS)		DWG NO: ZPM-1-AG025-0D0-MP0 & ZPM-1-SG025-0D0-MP0	RELEASE LEVEL: Design In Progress	
REMOVE ALL SHARP EDGES, BURRS AND FLASH		PART NO: ZPM-1-AG025-0D0-MP0 & ZPM-1-SG025-0D0-MP0	DATE: 07-01-22	
ORIGINAL SIZE <b>A3</b>		MATERIAL: UNSPECIFIED	DRAWN BY: Unspecified	
FINISH: UNSPECIFIED		GENERAL TOLERANCE: $\pm 0.1 / \pm 0.5^\circ$	CHECKED BY: Unspecified	
SHEET: 1 OF 1				

